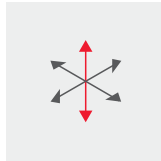
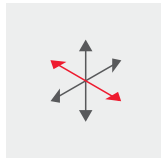


Symbols for the sash adjustment when installed

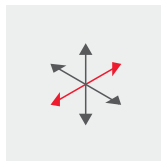
These symbols facilitate the orientation while adjusting the window sashes after installation with the following steps. Use a 4 mm hex key as tool.



Height adjustment



Lateral adjustment



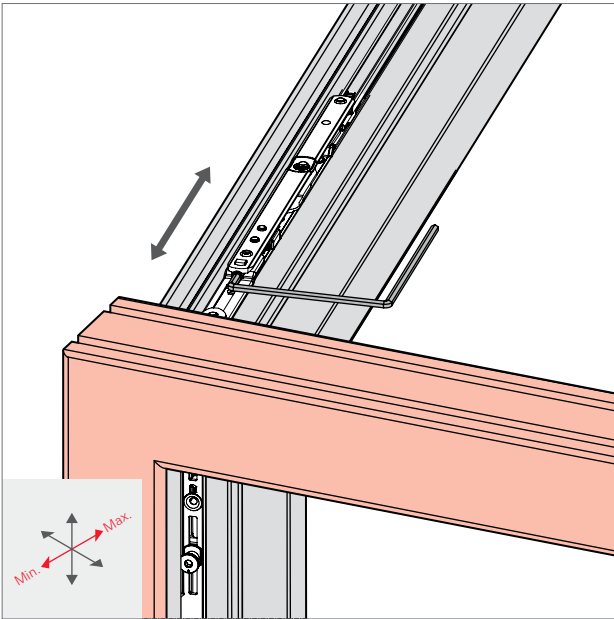
Gasket-compression adjustment



NOTE!

Adjusting Roto hardware components may only be carried out by authorised and qualified personnel.

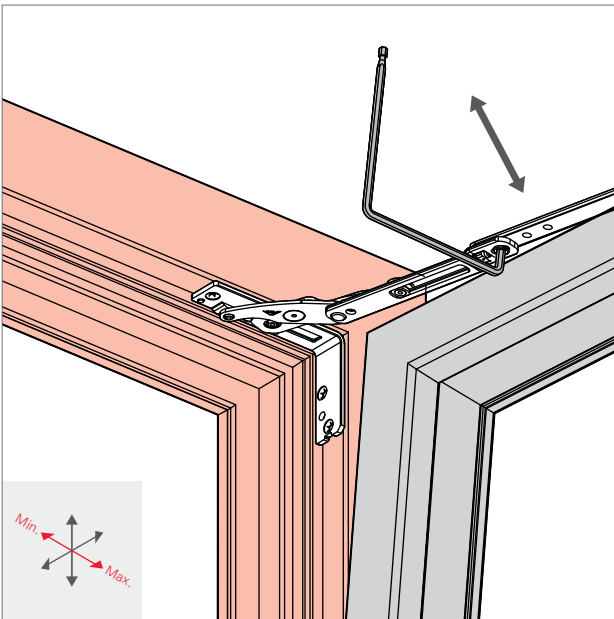
The stated values in the adjustment instructions chapter are maximum values which must not be exceeded.



Lateral adjustment

Min.: -2.0 mm

Max.: +2.0 mm



Gasket compression

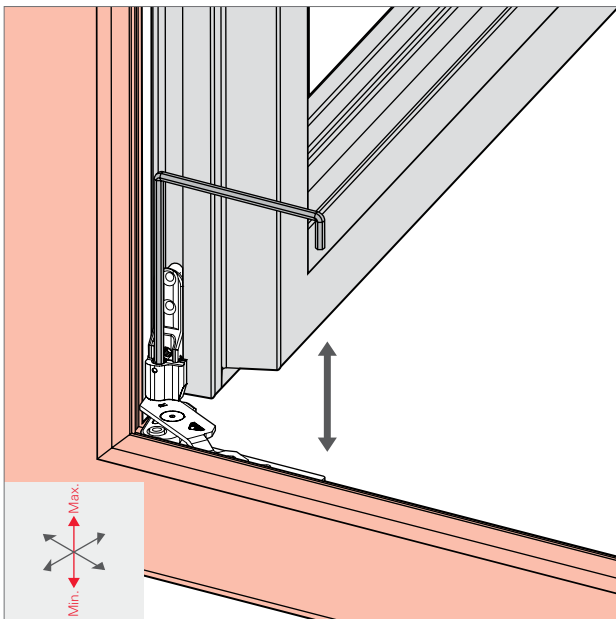
Min.: -0.5 mm

Max.: +0.5 mm

Adjustment

Adjustment instructions

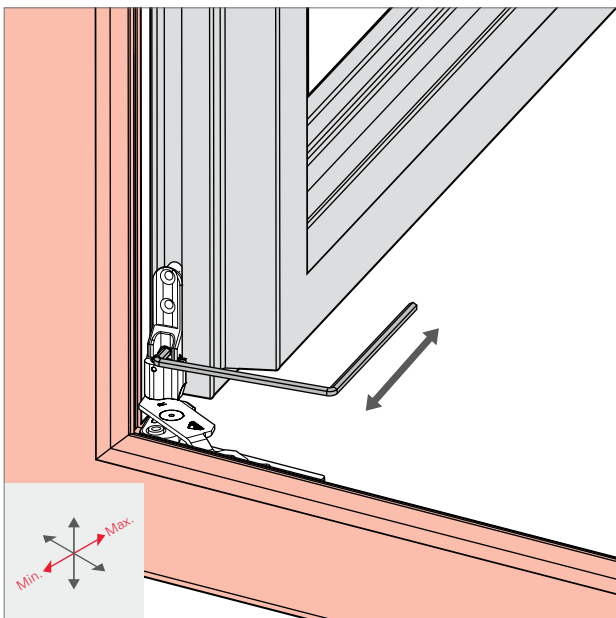
Pivot rest / corner hinge



Height adjustment

Min.: -1.0 mm

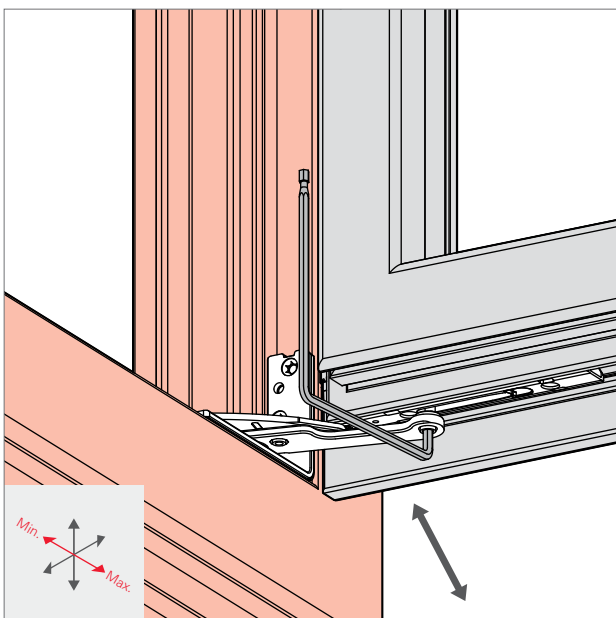
Max.: +2.0 mm



Lateral adjustment

Min.: -1.5 mm

Max.: +2.0 mm



Gasket compression

Min.: -0.5 mm

Max.: +0.5 mm



Locking cam adjustment instructions						
Cam type	Adjustment range	Gasket-compression	Height	Side view		Tools
E cam						
	90°	+/- 0.8 mm				
P cam						
	90°	+/- 0.8 mm				
V cam						
Cam type	Adjustment range	Gasket-compression adjustment/mm	Height adjustment / mm	Side view/top view		Tools
	90°	+/- 0.8 mm	+/- 0.2 mm			
	180°	-	+/- 0.4 mm			
	270°	+/- 0.8 mm	+/- 0.6 mm			
	360°	-	+/- 0.8 mm			